

Themis RES-XStore Storage Expansion Unit



1U Storage Expansion for up to 12 SAS or SATA Drives

RES-XStore™ is a new family of storage expansion units for use with RES systems, and other servers, in mission critical applications in harsh environments. The RES-XStore supports up to twelve 2.5" SAS or SATA HDD or SSD drives, with a maximum total capacity of 12 TB and is packaged in a 1U, 17" (432mm) deep rack-mountable chassis. The system incorporates four hot pluggable canisters, each containing three drives. The RES-XStore is connected, via a PCI-Express x8 link with an add-in adapter, to a host server.

The RES-XStore includes a RAID controller that supports RAID levels from 0 to 60. Canisters can be configured to be hot pluggable. The RES-XStore, as all products in the RES server family, is designed to operate in the most challenging environments.

RES Family Features:

Mechanical

- Designed for High Reliability in harsh operating environments
- Extensive use of specially coated aluminum for light weight and corrosion resistance.
- Stainless steel in selected areas to add strength and stiffness
- Modular design for easy upgrade and service
- Optional Rack-Mount Slides
- Airflow direction: Front to Rear
- Optional dust filter
- Locking feature for securing and removal of drives from canisters

Operating Systems

- Linux® and Windows® OS Support

Environmental*

- Operating Shock: 3 axis, 25G, 20ms
- Operating Vibration: 3.0 Grms, 8 Hz to 2000 Hz
- Operating Temperature: 0° C – 60° C with SATA HDDs
- MIL-STD-810G
- Humidity: up to 90% non-condensing

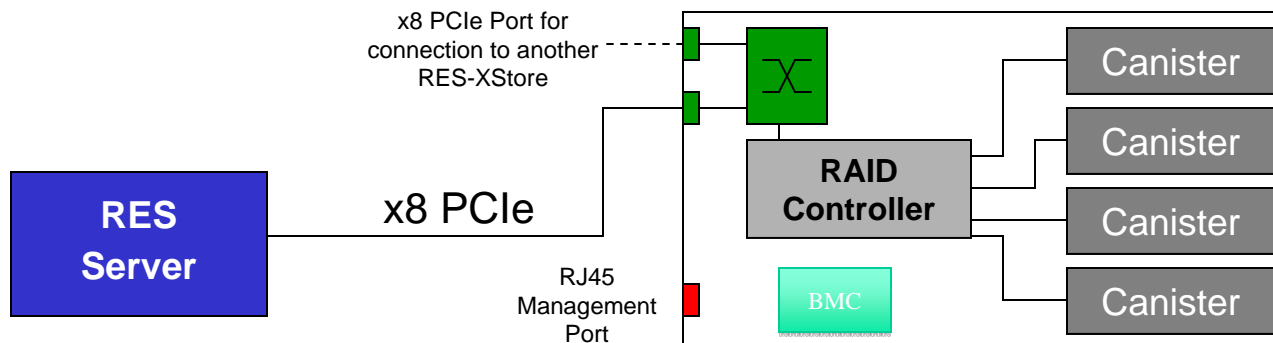
* Environmental specifications are configuration dependent.

Reliability

- Power Supply Options:
 - Single or redundant 110/220 VAC, 650 Watt (50/60Hz, 400Hz)
 - Single or redundant 18-36 VDC, 500 Watt, 32 Amp
 - Single or redundant 36-72 VDC, 650 Watt, 18 Amp
- Canisters can be configured to be hot pluggable
- Built-in fan speed control and temperature monitoring

RES-XStore Specifications:

- Capacity for twelve 2.5" SAS or SATA Drives in four canisters
 - Three drives per canister
- Each canister hot pluggable
- x8 PCIe link between RES-XStore and host machine
- Supports SATA Solid State Drives
- Dimensions (HWD): 1U x 17" x 17.0"
(45 mm x 431.8 mm x 431.8 mm)
- RAID level 0, 1, 1E, 3, 5, 6, 10, 30, 50, 60, Single Disk or JBOD
- RAID In-band or Out-of-band management
- RAID volume management
- Ethernet for out-of-band management

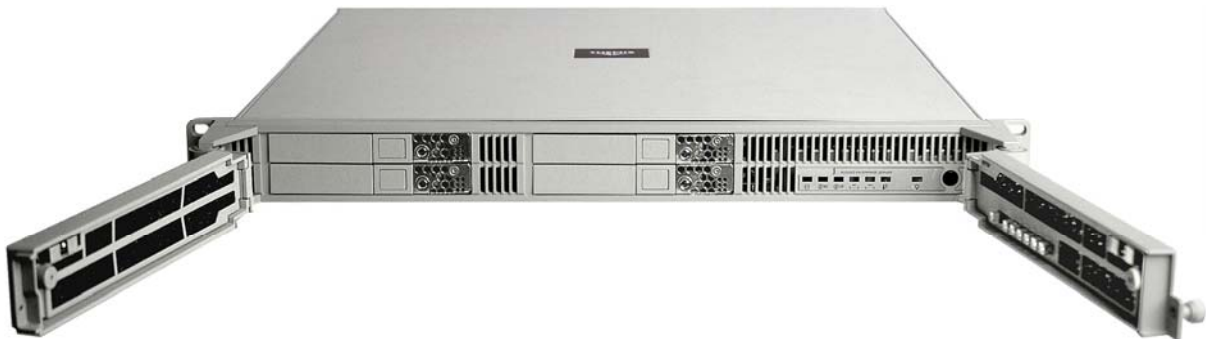


RES-XStore



Storage Canister

- Three SAS or SATA Drives per Canister



THEMIS

Themis
47200 Bayside Parkway
Fremont, CA 94538
Tel: 510-252-0870
Fax: 510-490-5529
Email: info@themis.com
www.themis.com

Themis Europe Sales Office
5 rue Irène Joliot-Curie
38320 Eybens, France
Tel: +33.476.14.77.86
Fax: +33.476.14.77.89

Themis, the Themis logo and RES-XStore™ are trademarks or registered trademarks of Themis Computer. Intel, Xeon, the Intel Xeon Inside logo, are trademarks or registered trademarks of Intel Corporation. Windows is a registered trademark of Microsoft Corporation. All trademarks and registered trademarks are the property of their respective owners.